

CornuFé Series Stoves & Hoods

CornuFé 90: c9

900 W x 650 D x 910 (937 max) H (mm)
 35.4 W x 25.6 D x 35.8 (36.9 max) H (inches)
 315 lb. uncrated, 410 lb. crated
 High-performance five burner gas cooktop
 Large electric convection oven
 Retail for \$6,800

SPECIFICATIONS:

Burners:

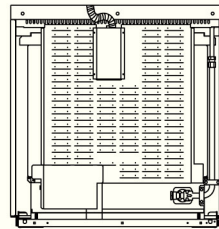
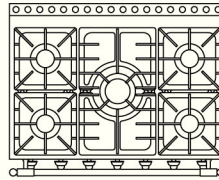
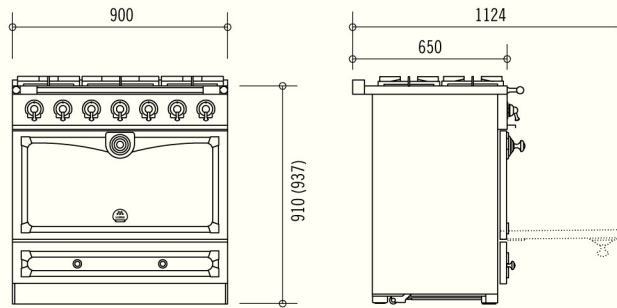
One 17,500 BTU central burner
 Three 12,000 BTU burners
 One 6,000 BTU simmer burner (down to 600 BTU)

Oven:

Enameled steel door
 Electric convection oven featuring seven cooking modes
 Two convection fans, three heating elements
 714 W x 389 D x 381 H (mm)
 28.1 W x 15.3 D x 15 H (inches)
 3.81 cubic feet

Power and Fuel:

Voltage is 240V 60Hz, 25 AMP
 1/2" NPT at rear right-hand side
 Natural gas range with propane conversion kit included



Hotte CornuFé 90

1000 W x 650 D x 590 (1065 max) H (mm)
 39.4 W x 25.6 D x 23.2 (41.9 max) H (inches)
 Traditional wall-mounted, stainless steel hood
 Two blowers for a total capacity of 900 CFM
 Two baffle grease filters with system for oil recovery
 Three 20W halogen bulbs

HF9:

Stainless steel hood with stainless steel upper-band
 Retail for \$3,460

FRB9:

Black upper-band
 Retail for \$370

